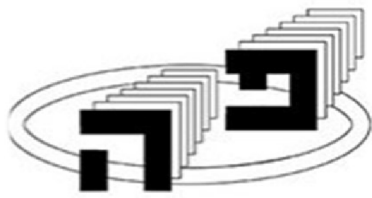


HA'GALIL PROFILES LTD.

Advanced Aluminum Systems *3275

SMART PROFILES - DESIGN DESIGNATED SMART PROFILES



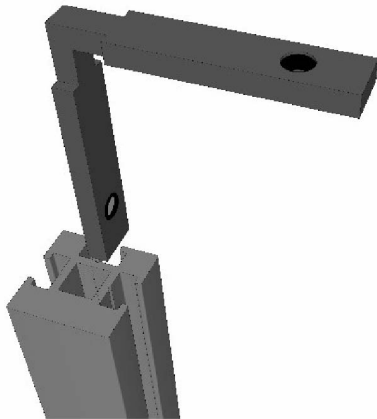


HA'GALIL PROFILES LTD.

Advanced Aluminum Systems *3275

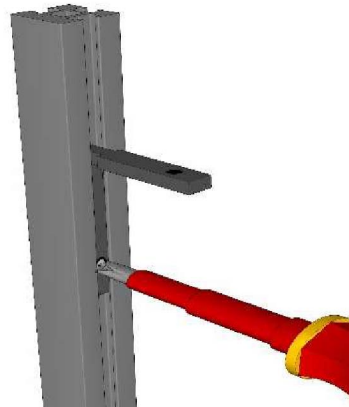
Assembly Instructions

1



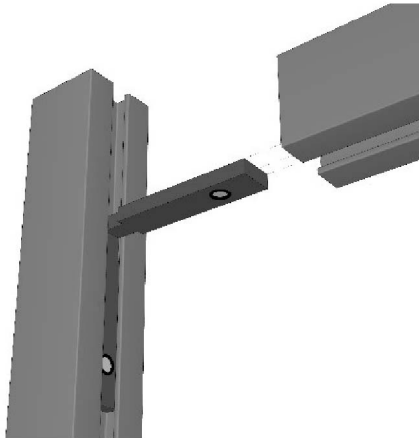
Insert an L angle in its designated place

2



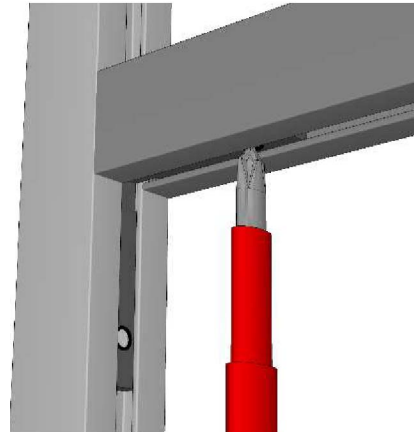
Fix the angle with a screw

3

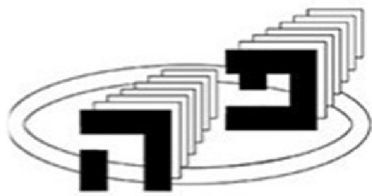


Insert the shelf's profile into the fixed angle

4



Fix the angle with a screw

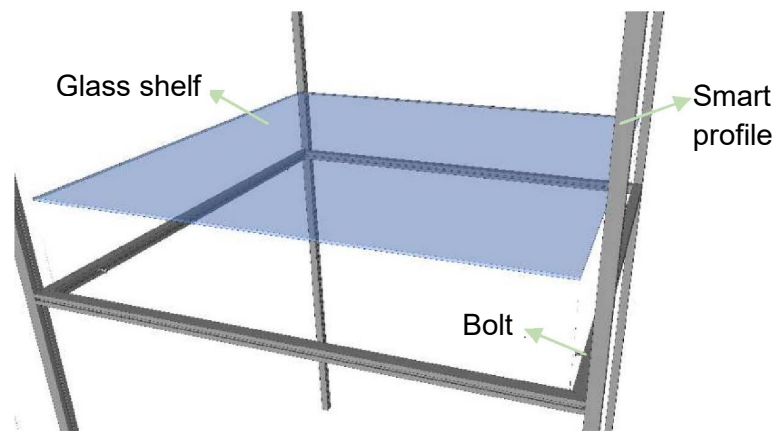
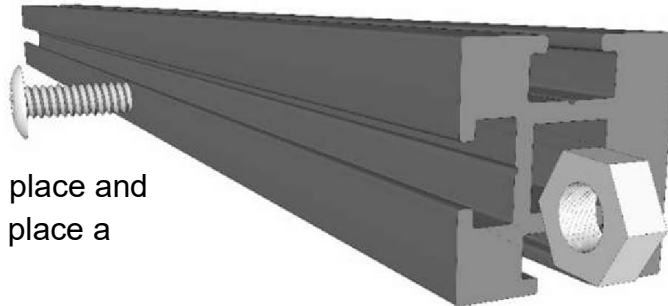


HA'GALIL PROFILES LTD.

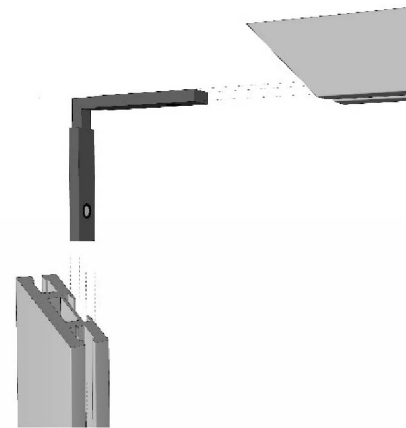
Advanced Aluminum Systems *3275

SHELF CONNECTION OPTIONS

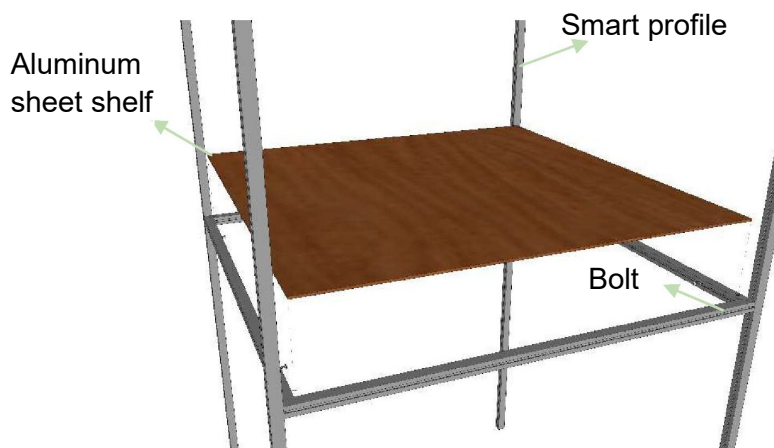
Insert a nut in the designated place and tighten with the bolt. You can place a shelf on the bolt

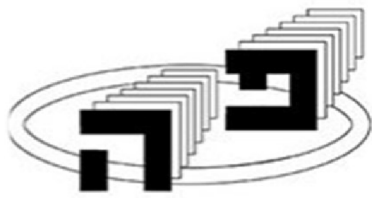


חיבור גרונג פינת 90°



Cut the profile in a miter and connect the internal angle





HA'GALIL PROFILES LTD.

Advanced Aluminum Systems *3275

